

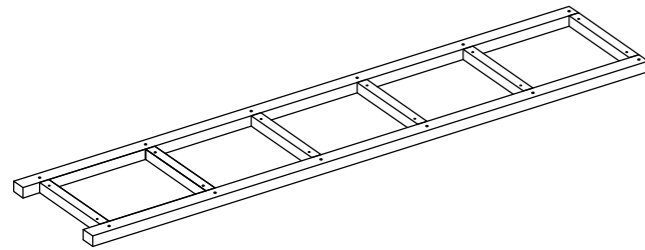
ASSEMBLY INSTRUCTION

5702XXX BOOKCASE OPEN SHELVES

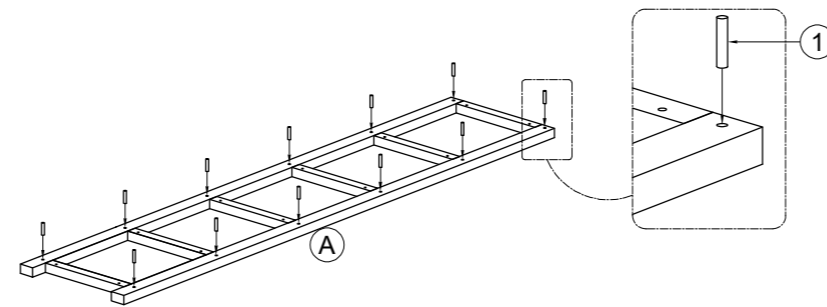
PART LIST

DO NOT FULLY TIGHTEN SCREWS AND NUTS UNTIL THE ENTIRE ITEM IS COMPLETELY ASSEMBLED

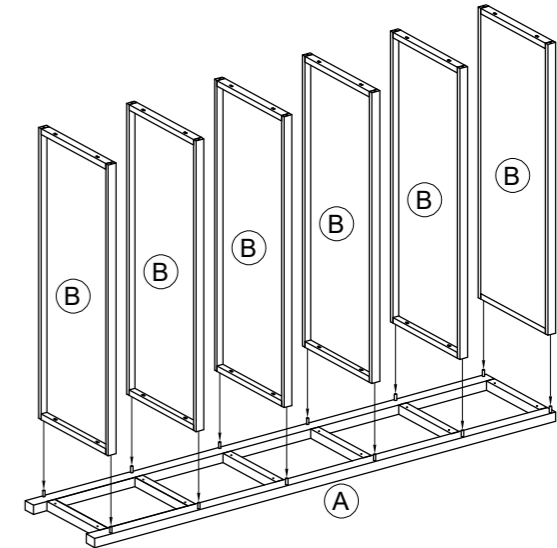
A : 2 pcs



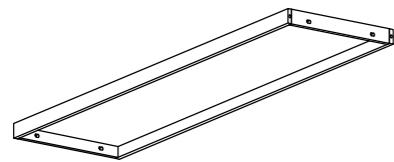
STEP: 1



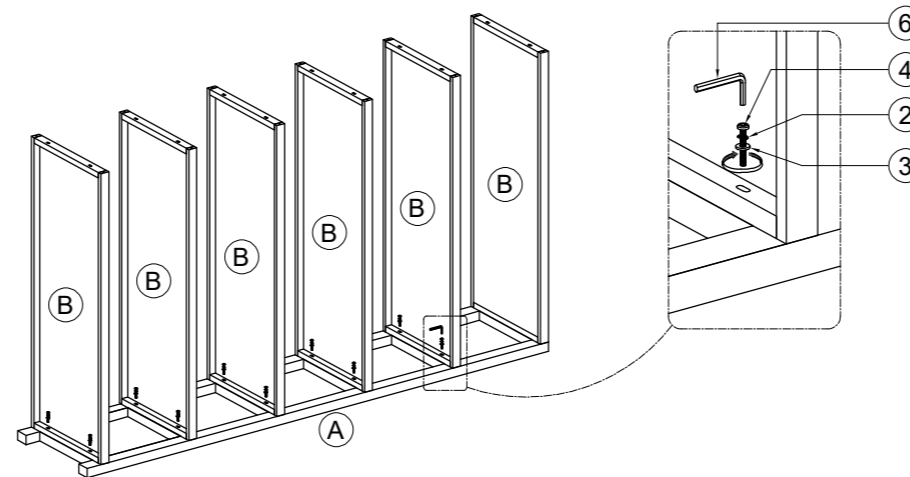
STEP: 2



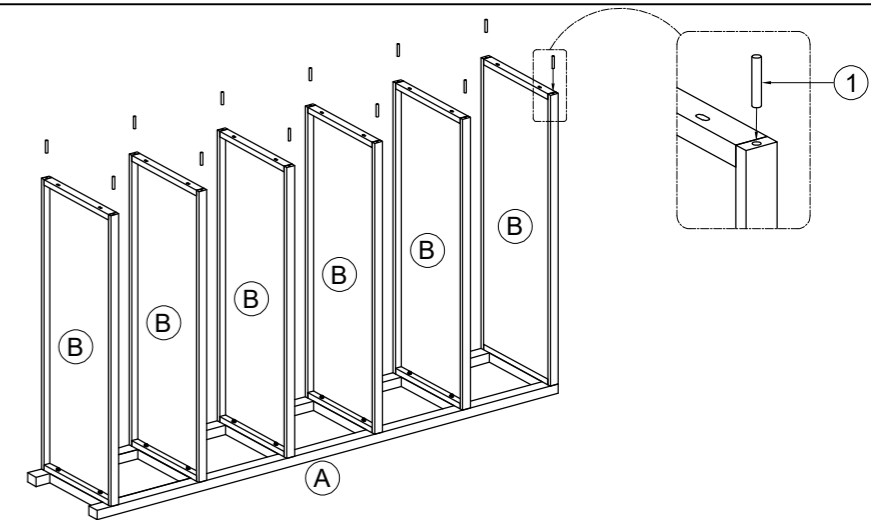
B : 6 pcs



STEP: 3



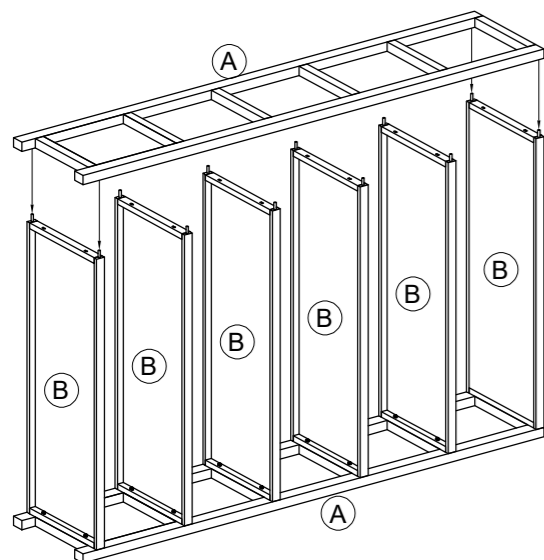
STEP: 4



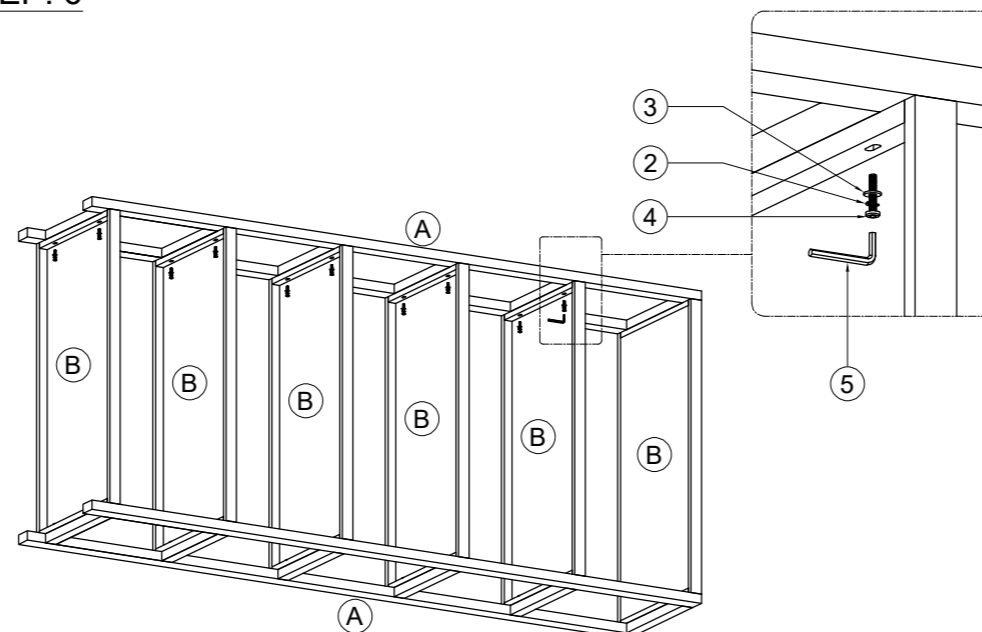
HARDWARE LIST

NO	QUANTITY	PICTURE	QTY
1	Wooden Dowel 10x40		24
2	Block washer M6		24
3	Flat washer M6		24
4	Bolt M6 x 40		24
5	Key		1

STEP: 5



STEP: 6



STEP: 7

